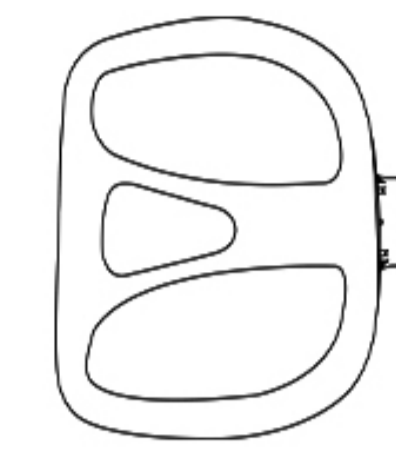
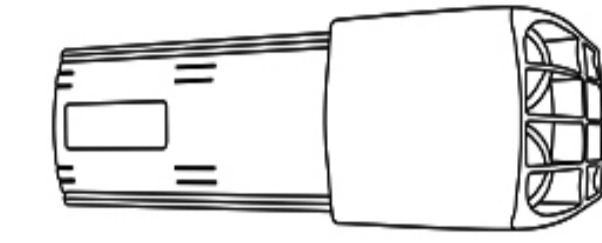


# ASSEMBLY INSTRUCTIONS

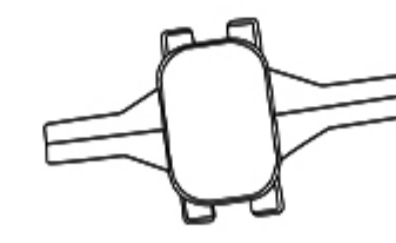
A. Backrest x 1



B. Support frame x 1



C. Fixation kit x 1



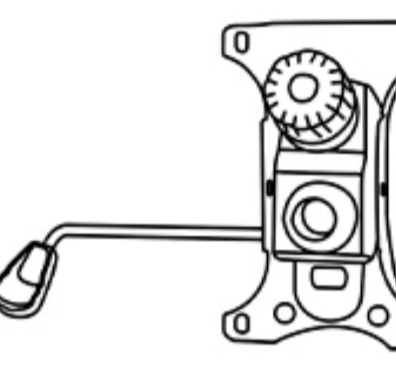
D. Seat x 1



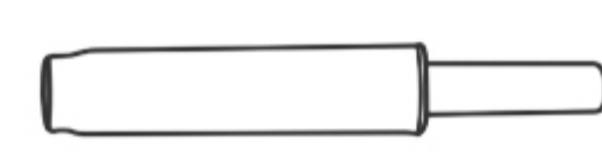
E. Armrests x 2



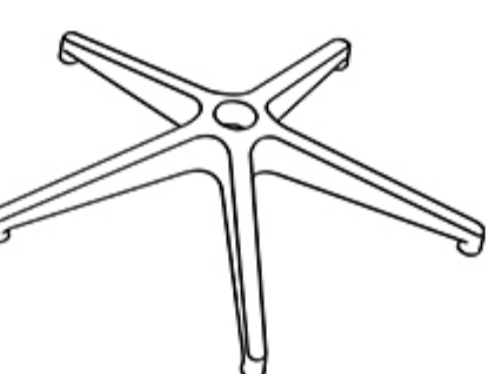
F. Salver x 1



G. Gaslift x 1



H. Base x 1



I. Wheels x 5



J. Screws x 4 (M6 x 20)



K. Screws x 10 (M6 x 35)



L. Flat washers x 4 (M6 x 14)



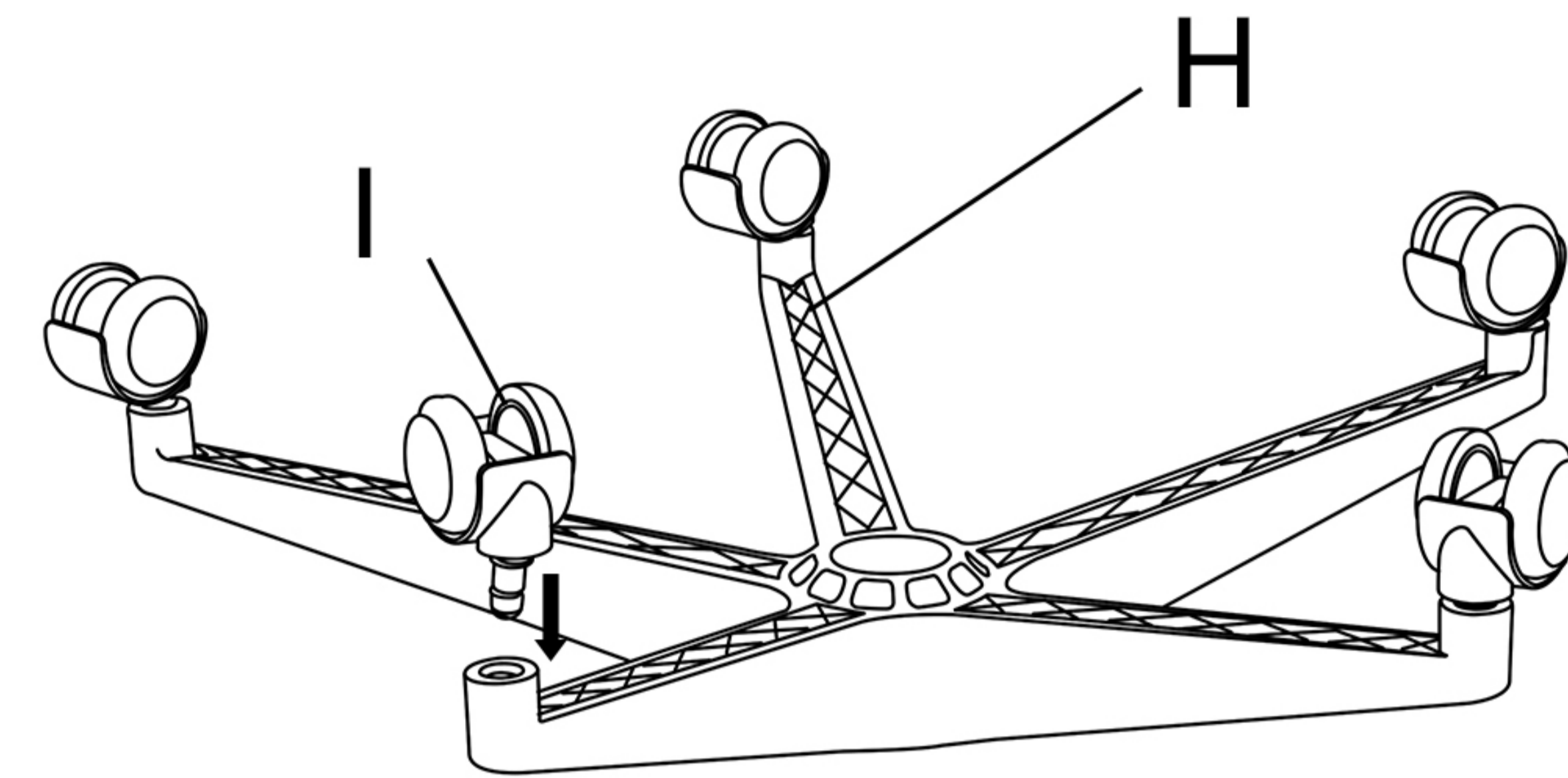
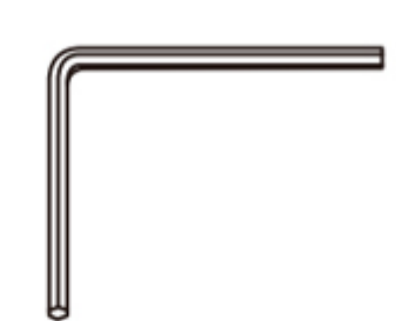
M. Flat washers x 10 (M6 x 16)



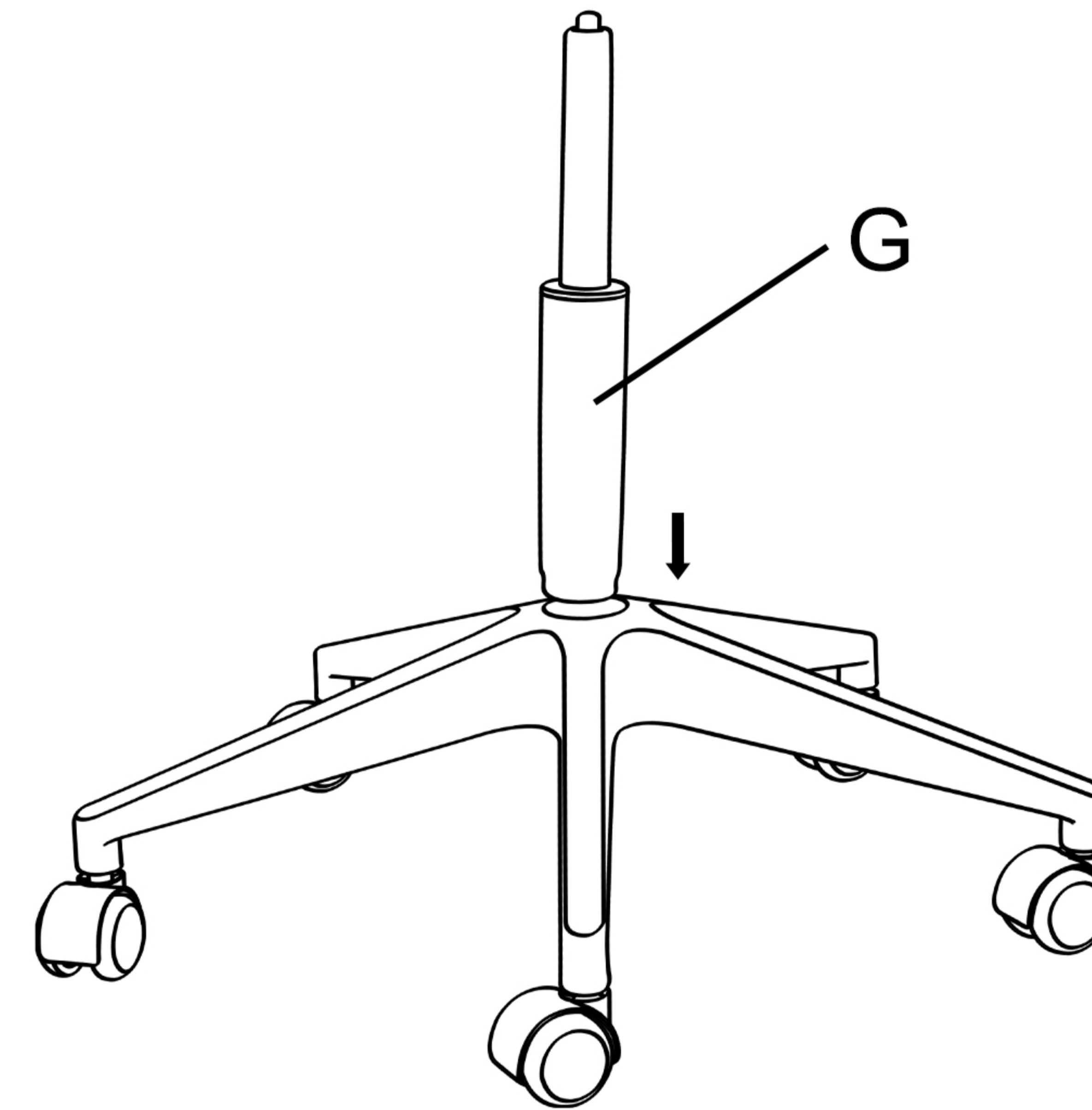
N. Lock washers x 4 M6



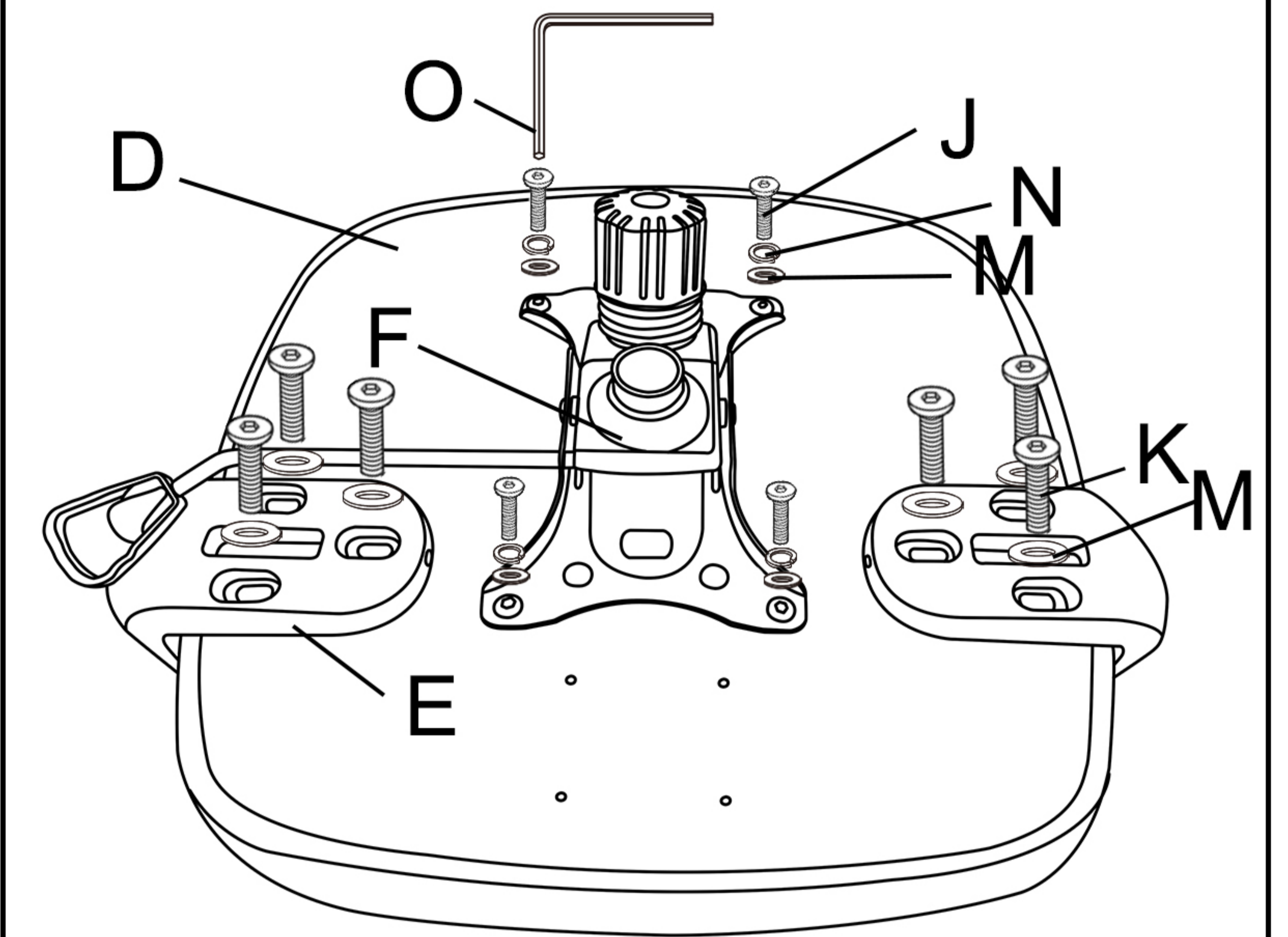
O. Hex key x 1



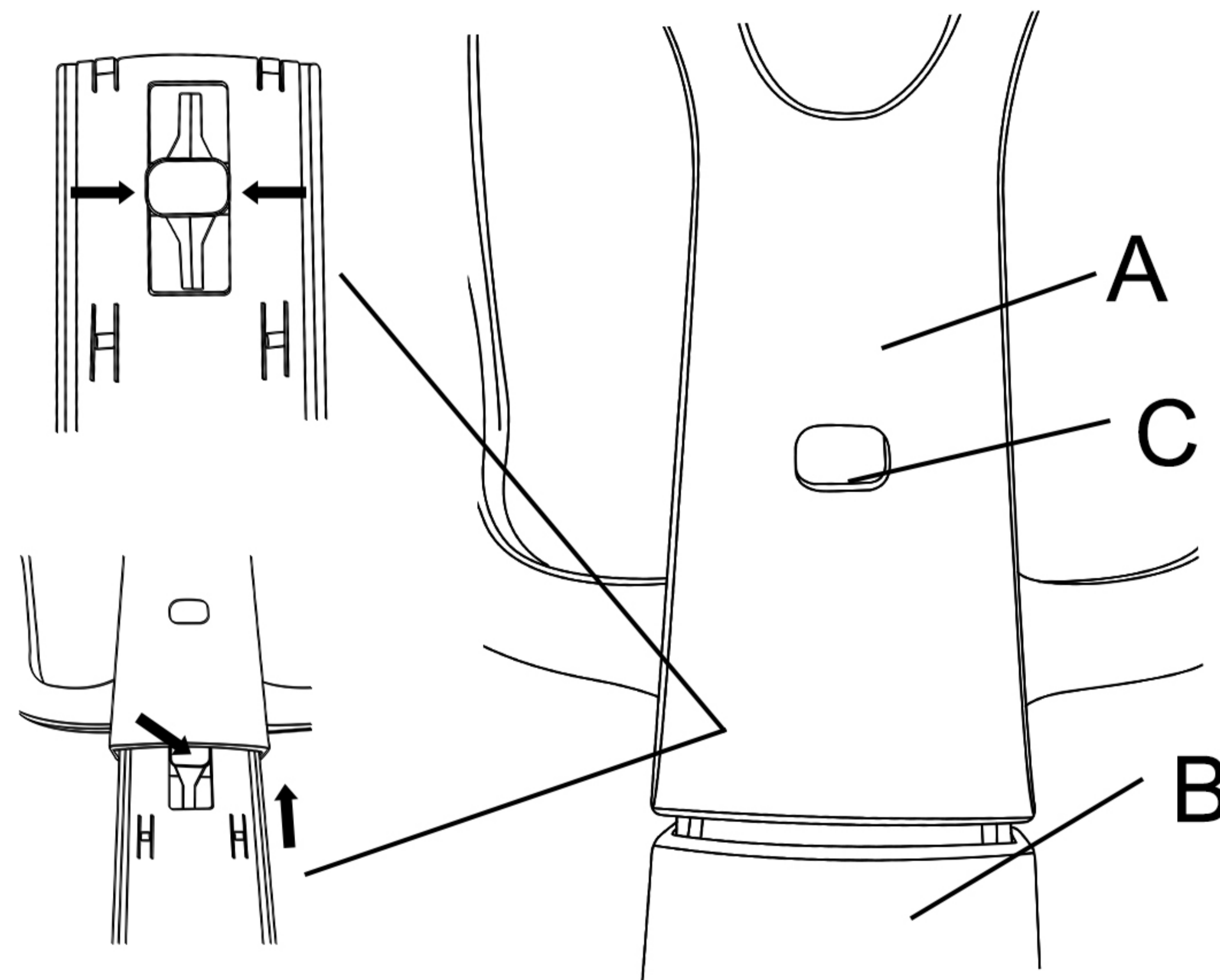
1



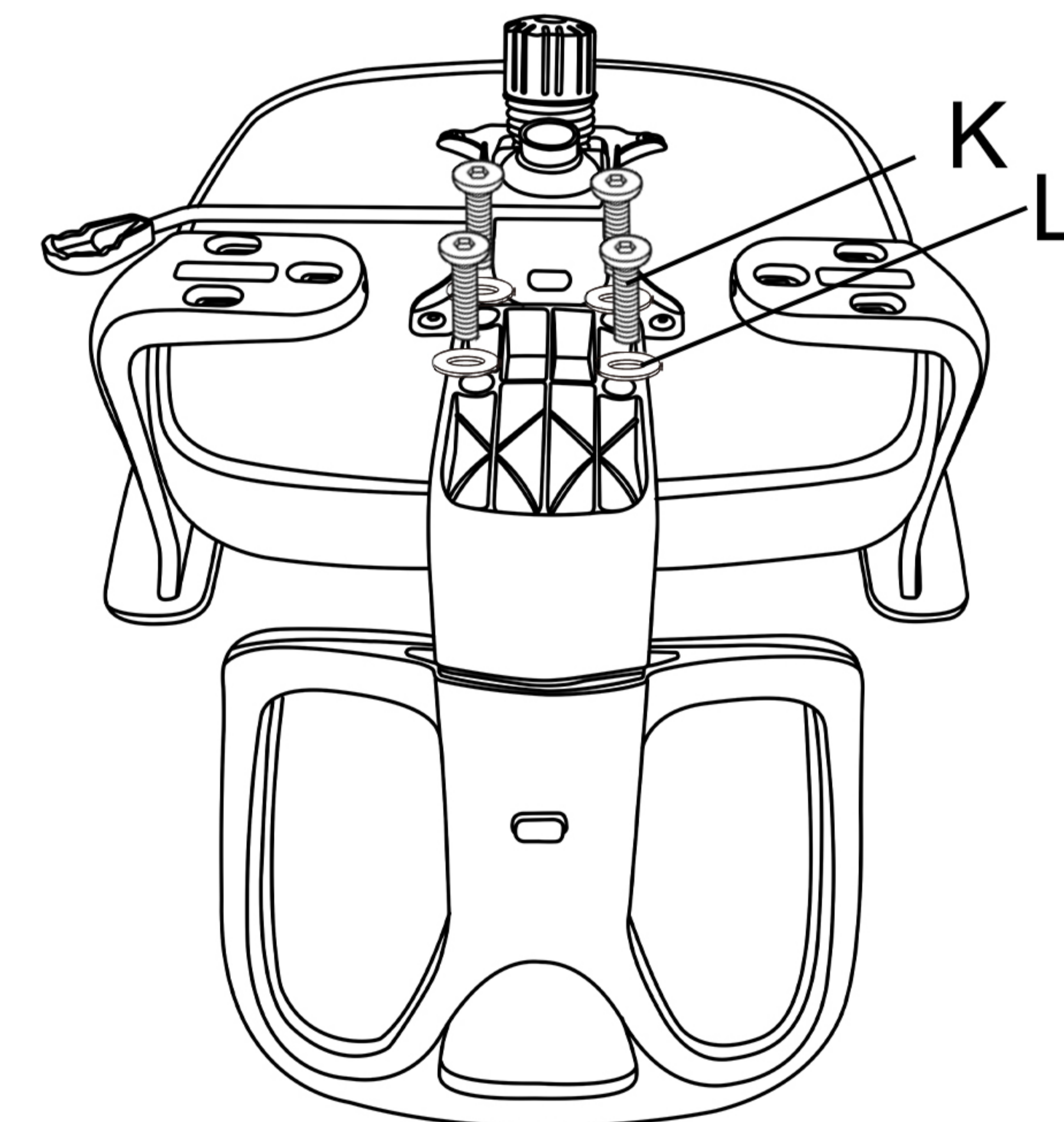
2



3



4



5



6

Remark: First fix screws lightly by hand and at the end of the assembly fasten the screws firmly with tools.